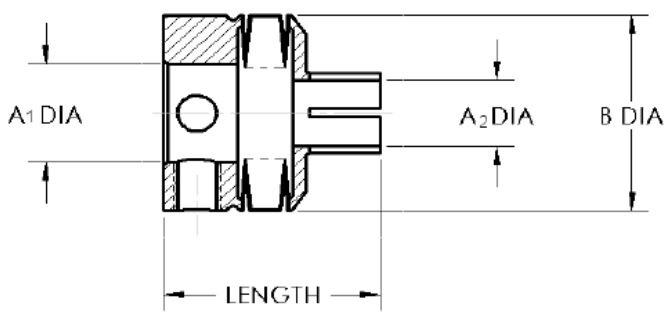
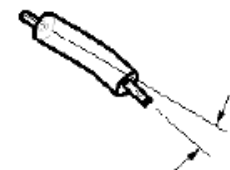
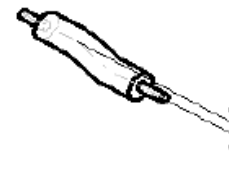
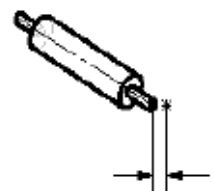
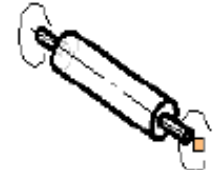


# BELLOWS COUPLING DESIGN DATA SHEET

Technical contact: \_\_\_\_\_ Company: \_\_\_\_\_  
 Phone: \_\_\_\_\_ Fax: \_\_\_\_\_ Email: \_\_\_\_\_

End Fitting / Hub Requirements:	Envelope Requirements:
<input type="checkbox"/> Machined Hubs <input type="checkbox"/> Split Hubs	A <sub>1</sub> : _____ +/- _____  A <sub>2</sub> : _____ +/- _____  Max. O.D. (B DIA): _____  Length: _____
	

Performance Requirements: <i>(as applicable)</i>				
<b>Maximum Torque</b>  _____ IN. · OZ.	<b>Maximum Angular Misalignment</b>    _____ DEG.	<b>Maximum Parallel Misalignment</b>    _____ IN.	<b>Maximum End Play</b>    _____ IN.	<b>Maximum Wind-Up</b>    _____ ARC-SEC. _____ IN. · OZ.

Description of Application: