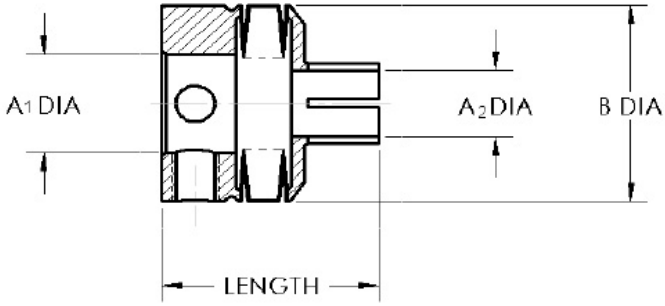

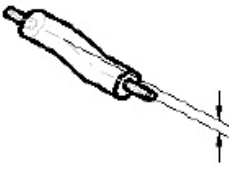
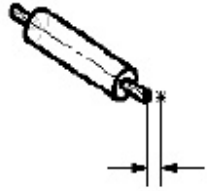
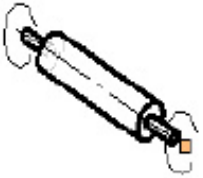


BELLOWS COUPLING DESIGN DATA SHEET

Technical Contact: _____ Company: _____

Phone: _____ Fax: _____ Email: _____

End Fitting / Hub Requirements: <input type="checkbox"/> Machined Hubs <input type="checkbox"/> Split Hubs 	Envelope Requirements: A1: _____ +/- _____ A2: _____ +/- _____ Max. O.D. (B DIA): _____ Length: _____
---	--

Performance Requirements: (as applicable)				
Maximum Torque _____ IN. · OZ.	Maximum Angular Misalignment  _____ DEG.	Maximum Parallel Misalignment  _____ IN.	Maximum End Play  _____ IN.	Maximum Wind-Up  ARC-SEC. _____ IN. · OZ.

Description of Application:
